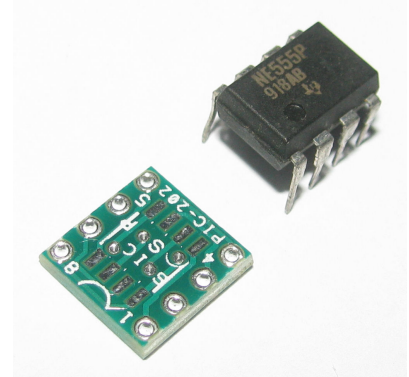


For other IC adapter, you can contact us for further information.

SMD Adapter

PIC-202 version 2.0

- SOIC8 to DIP8
- SOP8 to DIP8
- SSOP8 to DIP8
- TSSOP8 to DIP8



1. Description

SMT adapter for your prototyping needs. The adapter board footprints are designed for mounting 8pins SMD IC component, SOIC, SOP, SSOP, TSSOP, converting them to a convenient pin spacing of 2.54mm pitch. The adapter is compatible to DIP-08 footprint allowing you to convert new IC in SMD footprint to a DIP IC chip. PIC-202 SMD IC test adapter is definitely handy for your prototyping needs and to replace obsolete DIP-08 component with an alternative SMD IC.

2. Features

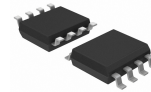
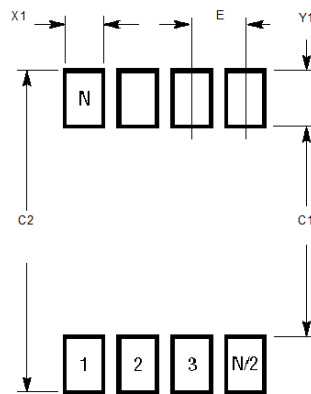
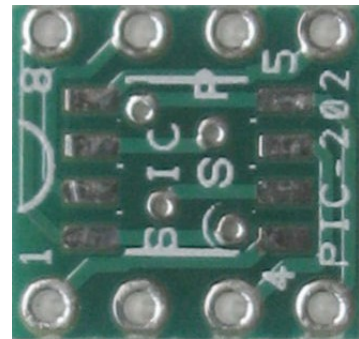
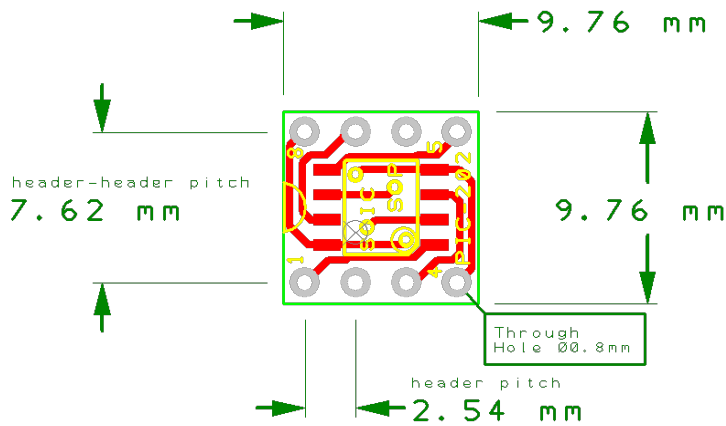
1. Convert SMD pins to header pins 2.54mm pitch (100mil or 0.1 inch)
2. PCB size compatible to DIP-08 IC footprint
3. PCB board size 9.8mm x 9.8mm x 1.6mm
4. Soldering pad for
 - SOIC-08 pins (pitch 1.27mm)
 - SOP-08 pins (pitch 1.27mm)
 - SSOP-08 pins (pitch 0.64mm)
 - TSSOP-08 pins (pitch 0.64mm)

3. Mechanical Dimension

Top Side

S/N	SMD type	Pin	Pitch
1	SOIC	8	1.27mm
2	SOP	8	1.27mm

Please refer to the following pages for footprint information.

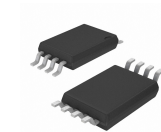
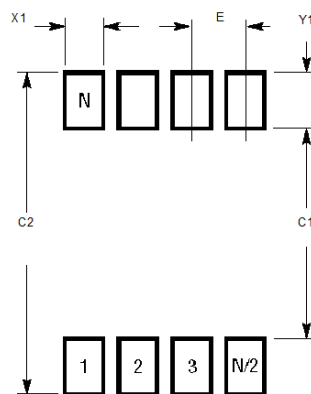
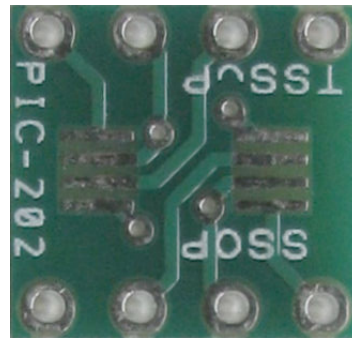
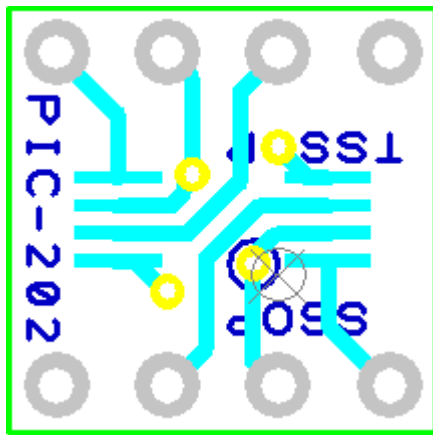


S/N	Dimension		Millimeters	Mils
1	Contact pitch	E	1.27	50.0
2	Contact pad spacing	C1	4.00	157.5
3	Contact pad spacing	C2	6.80	267.7
4	Contact pad width (X44)	X1	0.60	23.6
5	Contact pad length (X44)	Y1	1.40	55.1
6	Distance between pads	G	0.67	26.4

Bottom Side

S/N	SMD type	Pin	Pitch
1	SSOP	8	0.64mm
2	TSSOP	8	0.64mm

Please refer to the following pages for footprint information.



S/N	Dimension		Millimeters	Mils
1	Contact pitch	E	0.65	25.6
2	Contact pad spacing	C1	0.81	31.9
3	Contact pad spacing	C2	6.81	268.1
4	Contact pad width (X44)	X1	0.30	11.8
5	Contact pad length (X44)	Y1	3.00	118.1
6	Distance between pads	G	0.34	13.4

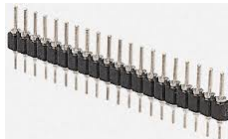
4. Specifications & Features

Size 9.8 x 9.8 x 1.6mm, L x W x H (± 0.3 mm)

Weight 0.4g (± 0.05 g)

Accessories (not included)

Header



Dual side turn pin 2.54mm pitch



Single row vertical header 2.54mm pitch (8 pins) x 8pcs



Dual row vertical header 2.54mm pitch (16 pins) x 4pcs



www.pic-control.com
PIC-CONTROL
sales@pic-control.com