

**LED Strip**  
PIC-250 LED Strip PCB board

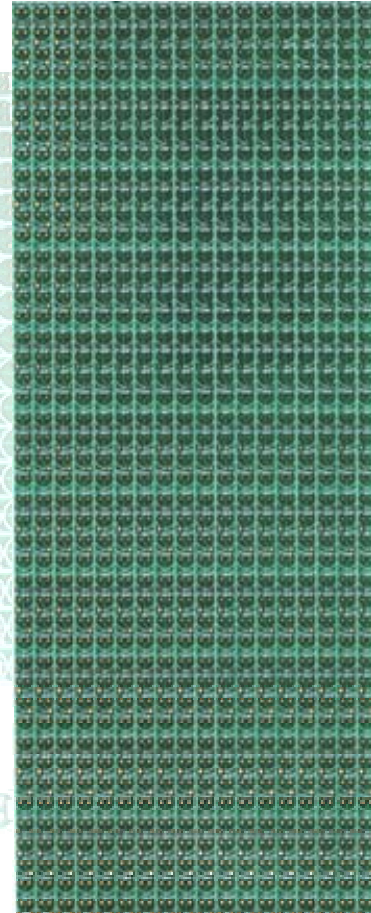


## **Content**

1. Description .....	3
2. Features .....	3
3. Schematic.....	4
4. PCB Mechanical Dimension .....	4
5. Specifications & Features.....	5

# LED Strip

## PIC-250 LED Strip PCB board



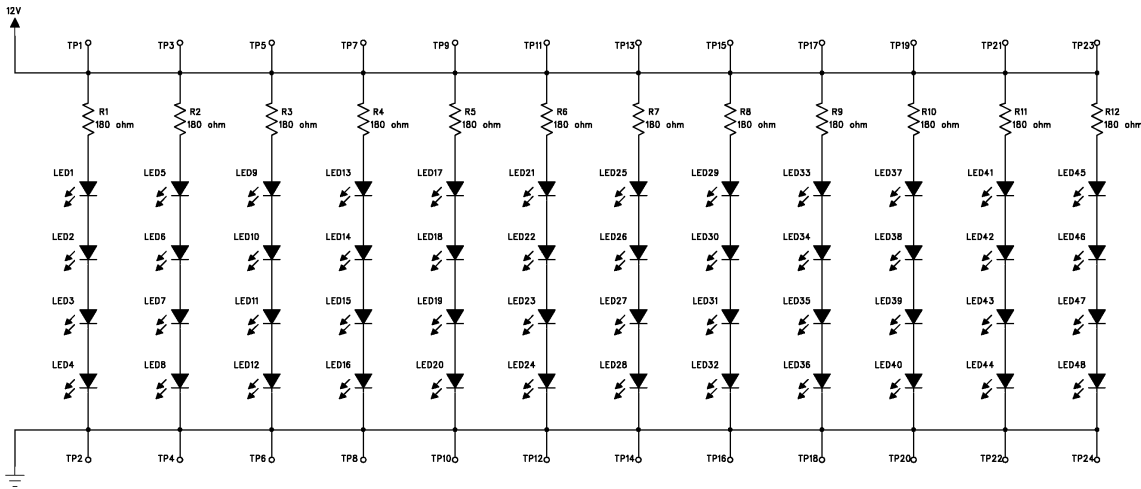
## 1. Description

LED strip PCB board feature close to 0 spacing for your 5mm LED. The close proximity allows more LED to be mounted and hence maximize the intensity of your lighting zone. Mount the brightness LEDs that you can find and concentrate all the power of your lights.

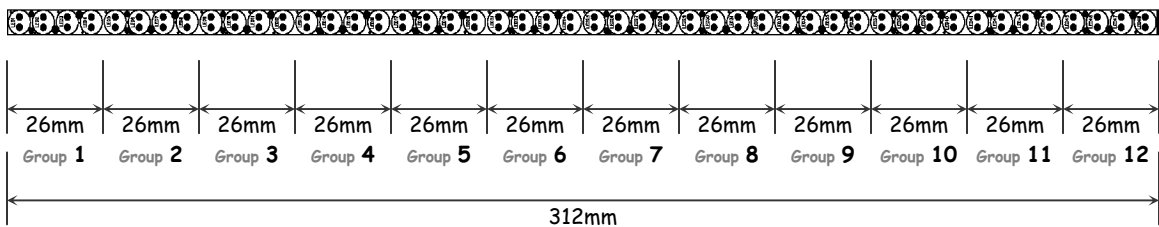
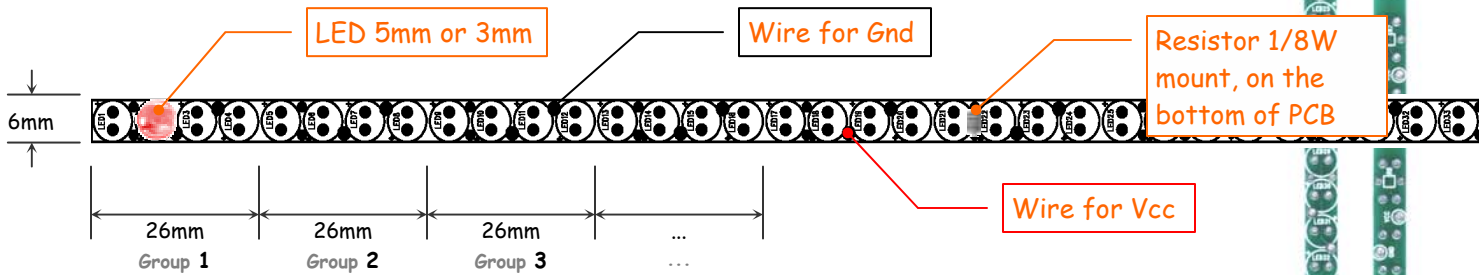
## 2. Features

1. Up to 48 LED per PCB strip.
2. Breakable strip in sets of 4 LED in series.
3. Designed for 12V supply and above.
4. Mount up to 5mm round type LED lamp package, pitch 2.54mm
5. Resistors 0.125Watt (reverse mount)

### 3. Schematic



### 4. PCB Mechanical Dimension



Assembly Example →



## 5. Specifications & Features

<b>Size</b>	<b>312 x 6 x 1.6mm, L x W x H</b> ( $\pm 0.2\text{mm}$ )
<b>Weight</b>	<b>5g</b> ( $\pm 0.5\text{g}$ )
<b>Accessories</b>	
LED, 2.54mm pitch	<b>5mm round package</b> (recommended) 3mm round package
Resistor, 1/8 Watt	<b>180<math>\Omega</math></b> (recommended for typical LED configuration) resistor value depending on the following factors <ul style="list-style-type: none"> <li>- voltage supply</li> <li>- LED voltage drop or turn on voltage</li> <li>- LED current max</li> </ul>
Power Supply Wire	<b>24 AWG</b> , 0.2mm <sup>2</sup> multi-strand



[www.pic-control.com](http://www.pic-control.com)  
**PIC-CONTROL**  
[sales@pic-control.com](mailto:sales@pic-control.com)