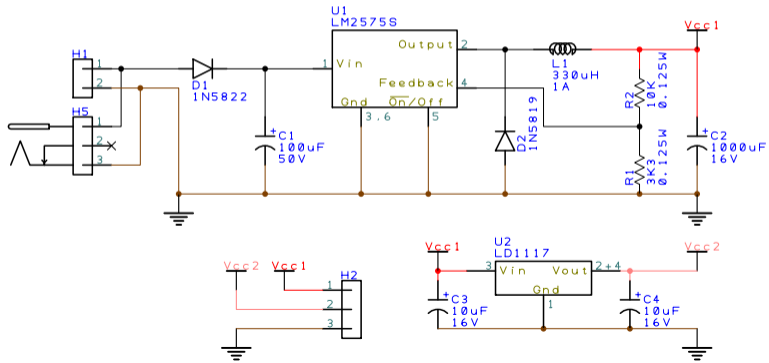
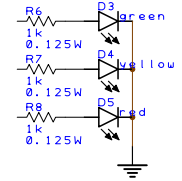
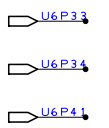
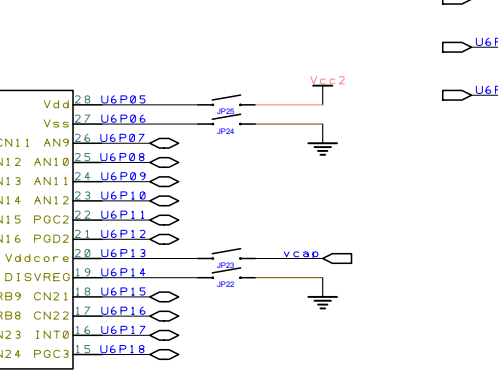
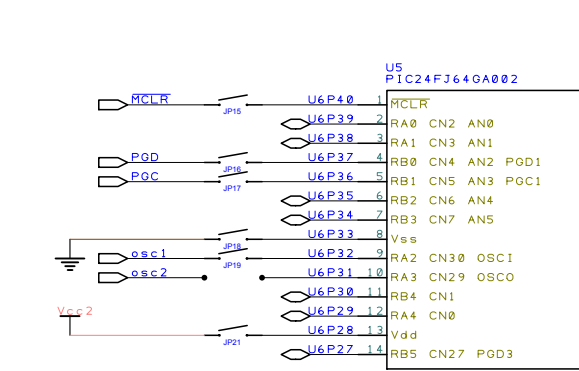
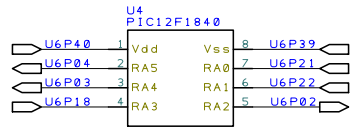
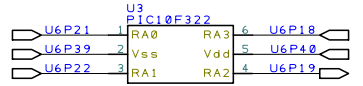
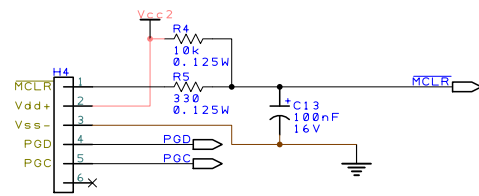
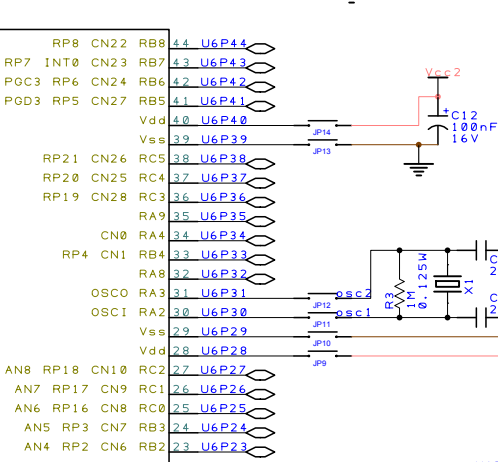
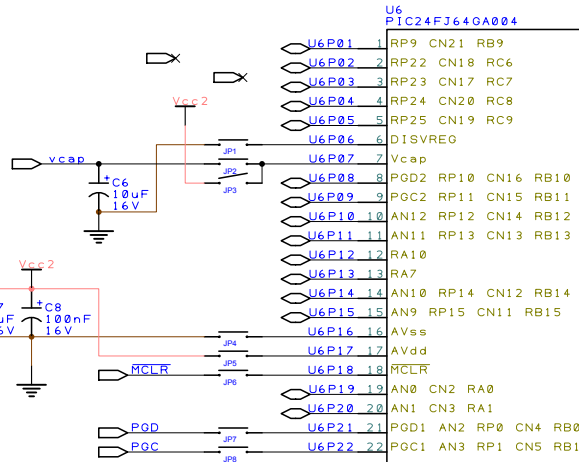


Power Supply

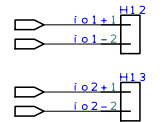


Microcontroller

Power Supply Input



I/O port (dry contact)



Communication

