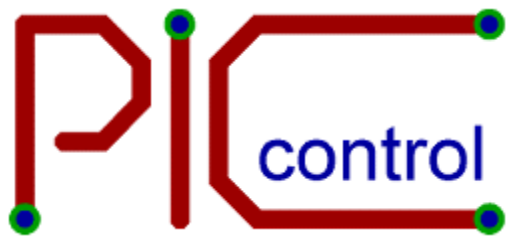


SMD Adaptor

PIC-201 SMD IC Adaptor



Content

1.	Description	3
2.	Features	3
3.	Mechanical Dimension	4
3.1.	TQFP-64 (10x10x1), 64 pins, pitch 0.5mm	6
3.2.	QSOP-28, 16,18, 20, 24, 28 pins, pitch 0.635mm	6
3.3.	SSOP-28, 16,18, 20, 24, 28 pins, pitch 0.65mm	7
3.4.	uMax-10, 10 pins, pitch 0.5mm	7
3.5.	uMax-8, 8 pins, pitch 0.65mm	8
4.	Specifications & Features.....	9

SMD Adaptor

PIC-201 SMD IC Adaptor

For other IC adaptor, you can contact us for further information.

1. Description

SMT adaptor for your prototyping needs. The multi-adaptor board footprints are designed for mounting various type of SMD IC component, converting them to a convenient pin spacing of 2.54mm pitch. PIC-201 SMD IC test adaptor is definitely handy for your prototyping needs.

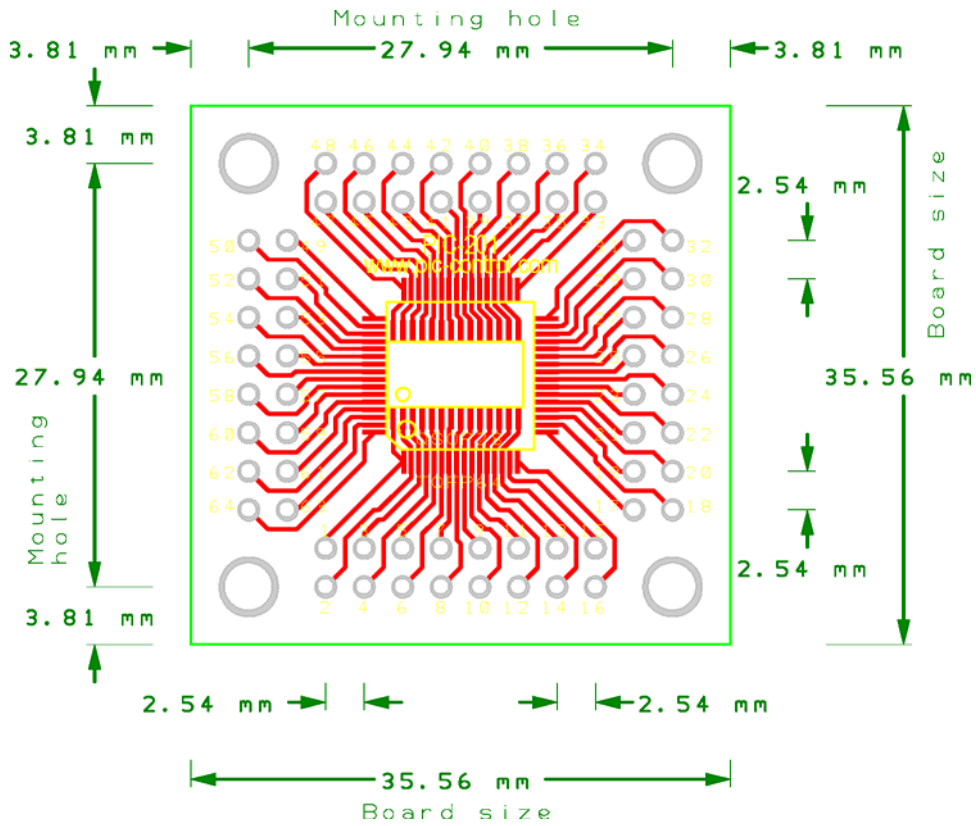
2. Features

1. Convert SMD pins to header pins 2.54mm pitch (100mil or 0.1 inch)
2. PCB board size 36mm x 36mm x 1.8mm
3. Soldering pad for
 - TQFP-64 pins (pitch 0.5mm)
 - QSOP 16-28 pins (0.635mm)
 - SSOP 16-28 pins (0.65mm)
 - uMax-10 pins (0.5mm)
 - uMax-8 pins (0.65mm)

3. Mechanical Dimension Top Side

S/N	SMD type	Pin	Pitch
3.1	TQFP-64 (10x10x1)	64	0.5mm
3.2	QSOP-28	28	0.635mm
	QSOP-16	16	0.635mm

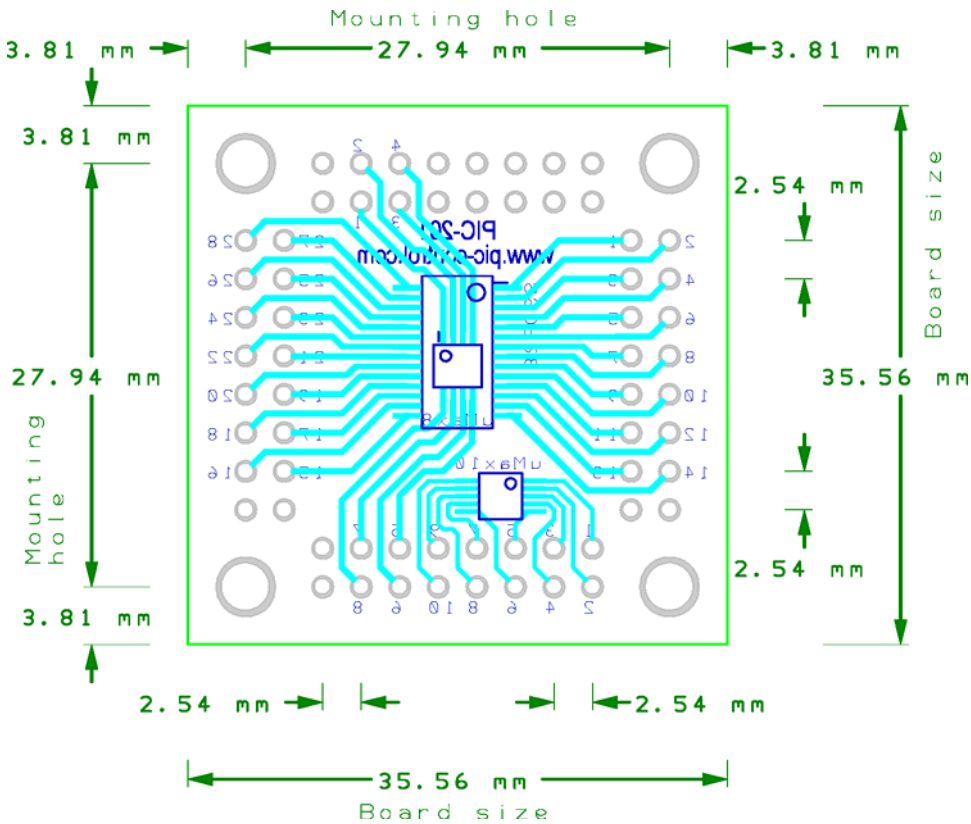
Please refer to the following pages for footprint information.



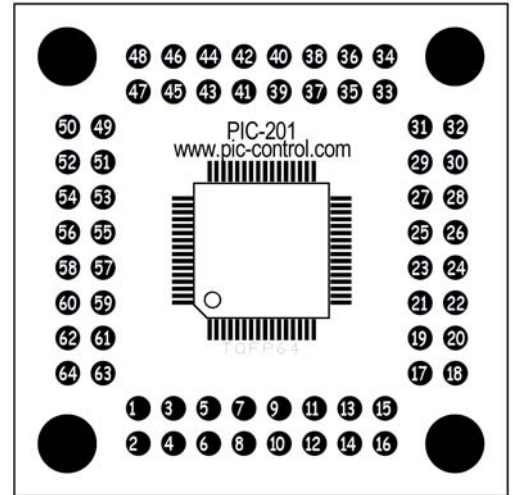
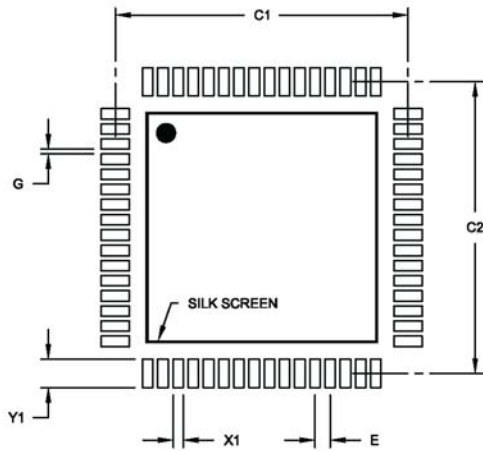
Bottom Side

S/N	SMD type	Pin	Pitch
3.3	SSOP-28	28	0.65mm
	SSOP-16	16	0.65mm
3.4	uMax-10	10	0.5mm
3.5	uMax-8	8	0.65mm

Please refer to the following pages for footprint information.



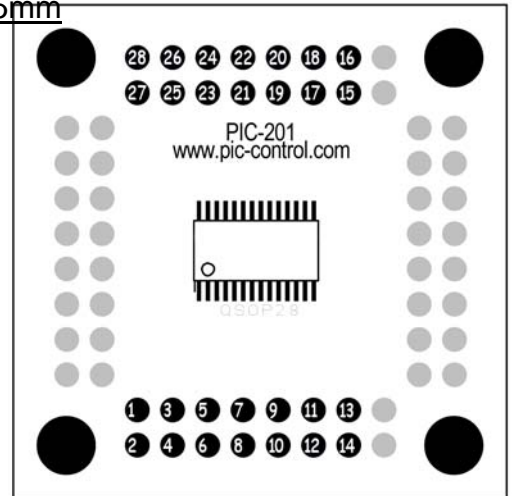
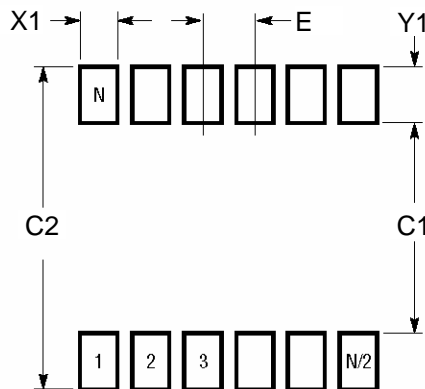
3.1. TQFP-64 (10x10x1), 64 pins, pitch 0.5mm



64-Lead Plastic Thin Quad Flatpack (PF) – 10x10x1mm Body, 2.00mm [TQFP]

S/N	Dimension		Millimeters	Mils
1	Contact pitch	E	0.50	19.7
2	Contact pad spacing	C1	11.40	448.8
3	Contact pad spacing	C2	11.40	448.8
4	Contact pad width (X44)	X1	0.30	11.8
5	Contact pad length (X44)	Y1	1.50	59.1
6	Distance between pads	G	0.20	7.9

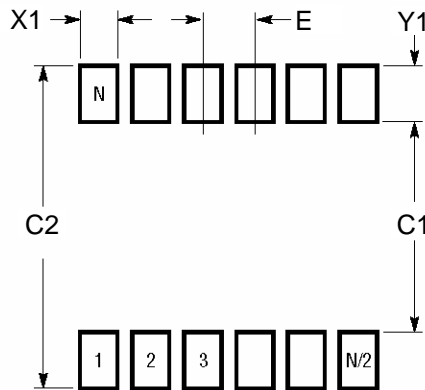
3.2. QSOP-28, 16,18, 20, 24, 28 pins, pitch 0.635mm



28-QSOP

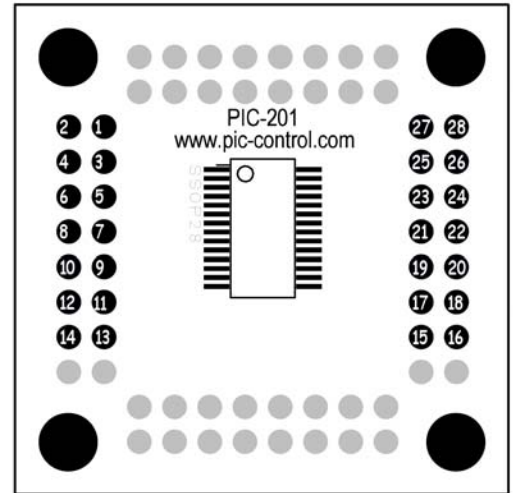
S/N	Dimension		Millimeters	Mils
1	Contact pitch	E	0.635	25
2	Contact pad inner width	C1	4.4	173.2
3	Contact pad outer width	C2	7.2	283.5
4	Contact pad width (X8)	X1	0.3	11.8
5	Contact pad length (X8)	Y1	1.4	55.1

3.3. SSOP-28, 16,18, 20, 24, 28 pins, pitch 0.65mm

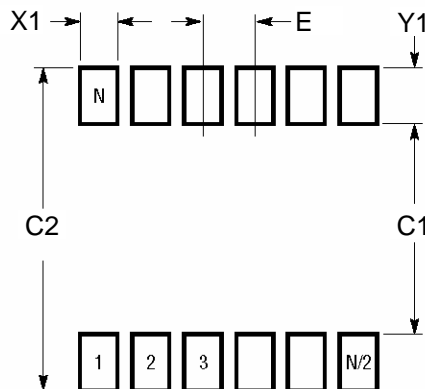


SSOP

S/N	Dimension		Millimeters	Mils
1	Contact pitch	E	0.65	25.6
2	Contact pad inner width	C1	0.48	18.9
3	Contact pad outer width	C2	8.50	334.6
4	Contact pad width (X8)	X1	0.35	13.8
5	Contact pad length (X8)	Y1	1.85	72.8

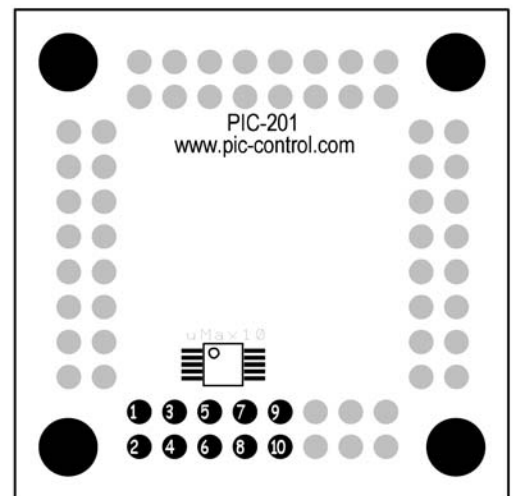


3.4. uMax-10, 10 pins, pitch 0.5mm

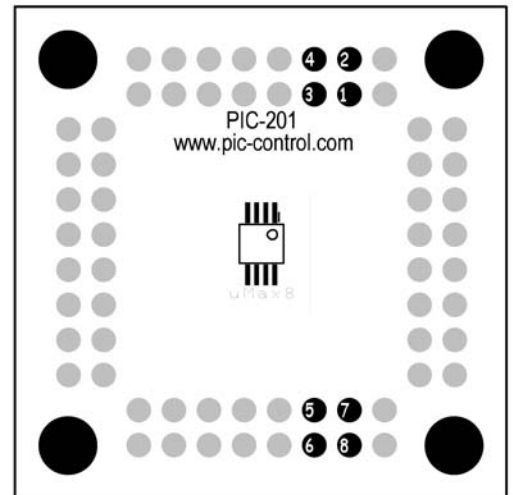
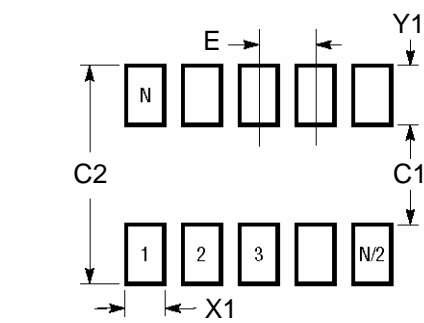


uMax

S/N	Dimension		Millimeters	Mils
1	Contact pitch	E	0.5	19.7
2	Contact pad inner width	C1	3.0	118.1
3	Contact pad outer width	C2	6.0	236.2
4	Contact pad width (X8)	X1	0.3	11.8
5	Contact pad length (X8)	Y1	1.5	59.1



3.5. uMax-8, 8 pins, pitch 0.65mm



uMax

S/N	Dimension		Millimeters	Mils
1	Contact pitch	E	0.65	25.6
2	Contact pad inner width	C1	3.0	118.1
3	Contact pad outer width	C2	6.0	236.2
4	Contact pad width (X8)	X1	0.35	13.8
5	Contact pad length (X8)	Y1	1.5	59.1

4. Specifications & Features

Size 36 x 36 x 1.8mm, L x W x H (± 0.5 mm)

Weight 5g (± 0.5 g)

Accessories

Header

Vendor: **Farnell**



Single row vertical header 2.54mm pitch (8 pins) x 8pcs

- Farnell code 329-1728
- Farnell code 511-754
- Farnell code 512-084



Dual row vertical header 2.54mm pitch (16 pins) x 4pcs

- Farnell code 329-1996
- Farnell code 511-821
- Farnell code 512-140
- Farnell code 624-639

Other compatible header 2.54mm pitch

- Farnell code 535-102



www.pic-control.com
PIC-CONTROL
sales@pic-control.com